



Night Pixel Color



PRO SERIES



MPIX-80BFT180LEDAI

### 2x4MP Full-Color Dual-Lens Splicing Network Camera



#### Features:

- 2x4MP 1/1.8" CMOS image sensor
- Output 180° wide angle splicing image
- Output max. 8 MP (4096 × 1800)@25 fps.
- H.265 codec, high compression rate, ultra-low bit rate
- Built-in warm light, max. illumination distance is 40m/131.23"
- ROI, SMART H.264+/H.265+, AI H.264/H.265, flexible coding, applicable to various bandwidth and storage environments
- WDR, 3D NR, HLC, BLC, digital watermarking, applicable to various monitoring scenes
- Alarm: 1 in, 1 out; audio: 1 in, 1 out; supports max. 512 GB Micro SD card, built-in Mic and speaker, support two-way talk
- 12 VDC/PoE power supply, easy for installation
- IP67 protection
- EPTZ: Enlarge and track the targets of intelligent alarms
- Motion Detection

#### Intelligence:

- Fenced Area protection - Line Crossing; Intrusion
- EPTZ
- People Counting
- Smart Object Detection - Smart abandoned object; smart missing object



FREE Multisite VMS Software  
Download it from [www.watchnetinc.com](http://www.watchnetinc.com)

#### Optional Brackets



BRACK-BB-48  
Back Box



BRACK-WM-48  
Wall Mount



BRACK-PM-06  
Pendant Mount

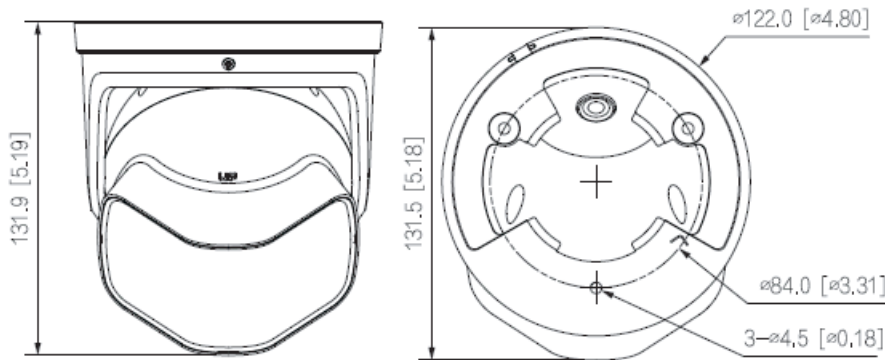


Model		MPIX-80BFT180LEDAI			
<b>Camera</b>					
Image Sensor	Dual 1/1.8" CMOS				
Max. Resolution	4096 (H) × 1800 (V)				
ROM/RAM	128MB / 1GB				
Scanning System	Progressive				
Min. Illumination	0.0005 lux@F1.0 (Color, 30 IRE) 0.0002 lux@F1.0 (B/W, 30 IRE) 0 lux (Illuminator on)				
Electronic Shutter Speed	Auto/Manual 1/3 s–1/100,000				
S/N Ratio	>56dB				
Illumination Distance	40m (131.23ft)				
Illuminator On/Off Control	Auto				
Illuminator Number	4 (Warm light)				
Pan/Tilt/Rotation Range	Pan: 0°–360° / Tilt: 4°–90° / Rotation: 0°–36				
<b>Lens</b>					
Lens Type	Fixed-focal				
Lens Mount	M16				
Focal Length	3.6mm				
Max. Aperture	F1.0				
Field of View	Horizontal: 180°; Vertical: 48°				
Iris Control	Fixed				
Close Focus Distance	3.6m (11.81ft)				
DORI Distance	Detect	Observe	Recognize	Identify	
	70.3m (230.64ft)	28.1m (92.19ft)	14.1m (46.26ft)	7.0m (22.97ft)	
<b>Intelligence</b>					
Fenced Area Protection	Intrusion, line crossing, fast moving (the three functions support the classification and accurate detection of vehicle and human); loitering detection, people gathering, and parking detection				
Heat Map	Yes				
Smart Object Detection	Smart abandoned object; smart missing object				
People Counting	Support the counting of enter number, leave number and pass number, and displaying and outputting yearly/monthly/daily reports. Support the counting of number in area, and 4 rules configuration. Count number of people or stay time and link alarm. Support queue management, and 4 rules configuration. Count number of people or stay time and link alarm.				
<b>Video</b>					
Video Compression	H.265; H.264; H.264H; H.264B; MJPEG (Only supported by the sub stream)				
Video Frame Rate	<b>WDR Off:</b> Main stream: 4096 × 1800 @ (1–25 fps) Sub stream: 1024 × 452 @ (1–25 fps) Third stream: 1920 × 832 @ (1–25 fps) <b>WDR On:</b> Main stream: 4096 × 1800 @ (1–20 fps) Sub stream: 1024 × 452 @ (1–20 fps) Third stream: 1920 × 832 @ (1–20 fps) *The values above are the max. frame rates of each stream; for multiple streams, the values will be subjected to the total encoding capacity.				
Resolution	8M (4096 × 1800); 6.5M (3840 × 1680); 4M (3840 × 1080); 4M (2880 × 1264); 1.6M (1920 × 832); 0.7M (1280 × 560); 0.5M (1024 × 452)				

Bit Rate Control	CBR/VBR
Video Bit Rate	H.264: 9 kbps–8192 kbps / H.265: 9 kbps–8192 kbps
Day/Night	Color/B/W
BLC / HLC	Yes / Yes
WDR	140 dB
Scene Self-adaptation	Yes
White Balance	Auto; natural; street lamp; outdoor; manual; regional custom
Gain Control	Auto
Noise Reduction	3D NR
Motion Detection	OFF/ON (4 areas, rectangular)
Region of Interest	Yes (4 areas)
Privacy Masking	4 areas
Defog	Yes
<b>Audio</b>	
Built-in MIC	Yes
Audio Compression	G.711a; G.711Mu; G.726; G.723; PCM
<b>Alarm</b>	
Alarm Event	No SD card; SD card full; SD card error; network disconnection; IP conflict; illegal access; motion detection; video tampering; line crossing; intrusion; fast moving; abandoned object; missing object; loitering detection; people gathering; parking detection; scene changing; audio detection; voltage detection; external alarm; motion detection; people counting in area; stay detection; people counting; security exception
<b>Network</b>	
Network Port	RJ-45 (10/100 Base-T)
SDK and API	Yes
Cyber Security	Video encryption; Firmware encryption; Configuration encryption; Digest; WSSE; Account lockout; Security logs; IP/MAC filtering; Generation and importing of X.509 certification; syslog; HTTPS; 802.1x; Trusted boot; Trusted execution; Trusted upgrade
Network Protocol	IPv4; IPv6; HTTP; TCP; UDP; ARP; RTP; RTSP; RTCP; RTMP; SMTP; FTP; SFTP; DHCP; DNS; DDNS; QoS; UPnP; NTP; Multicast; ICMP; IGMP; NFS; SAMBA; PPPoE; SNMP; Bonjour
Interoperability	ONVIF (Profile S/Profile G/Profile T); CGI
User/Host	20 (Total bandwidth: 80 MB)
Storage	FTP; SFTP; Micro SD card (support max. 512 GB); NAS
Browser	IE: IE 8 and later Chrome Firefox
Mobile Client	iOS; Android
<b>Certification</b>	
Certification	CE, FCC

Port	
Audio Input	1 channel (RCA port)
Audio Output	1 channel (RCA port)
Alarm Input	1 channels in: 5 mA 3 V–5 VDC
Alarm Output	1 channel out: 300 mA 12 VDC
Power	
Power Supply	12 VDC ( $\pm 30\%$ )/PoE+ (802.3at)/ePoE
Power Consumption	Basic: 4.8 W (12 VDC); 5.5 W (PoE) Max. (WDR + intelligence + warm light + SPK): 10.5W (12 VDC); 11.8 W (PoE)

Environment	
Operating Temperature	$-40^{\circ}\text{C}$ to $+60^{\circ}\text{C}$ ( $-40^{\circ}\text{F}$ to $+140^{\circ}\text{F}$ )
Storage Temperature	$-40^{\circ}\text{C}$ to $+60^{\circ}\text{C}$ ( $-40^{\circ}\text{F}$ to $+140^{\circ}\text{F}$ )
Operating Humidity	$\leq 95\%$
Protection	IP67
Structure	
Casing Material	Metal
Product Dimensions	$\Phi 122\text{ mm} \times 131.9\text{ mm}$ ( $\Phi 4.80" \times 5.19"$ )
Net Weight	990g (2.18lb)
Gross Weight	1150g (2.54lb)



\* All product names, logos and brands are property of their respective owners. All company products and service names used on this box/website/brochure are for identification purposes only. Use of these names, logos and brands does not imply endorsement. 2022 WatchNET Inc. © All Rights Reserved. All product specifications are subject to change without notice.

**CANADA:**  
351 Ferrier Street, Unit 5  
Markham, ON L3R 5Z2  
Toll Free: 1-866-843-6865  
Tel: 416-410-6865

**USA:**  
171 Cooper Ave. Suite 110  
Tonawanda, NY 14150 USA  
Toll Free: 1-866-843-6865  
Local: 1-716-877-7277

**UAE:**  
PO Box 126312  
No 703, Oxford Towers  
Business Bay, Dubai, UAE  
Tel: +971 4 2767117

Rev. Jan. 19, 2023

[info@watchnetinc.com](mailto:info@watchnetinc.com)  
[www.watchnetinc.com](http://www.watchnetinc.com)